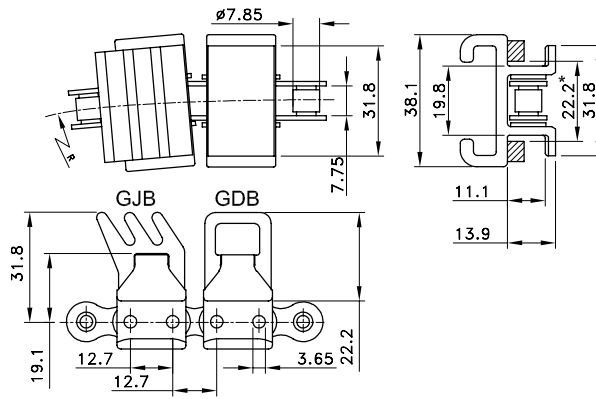


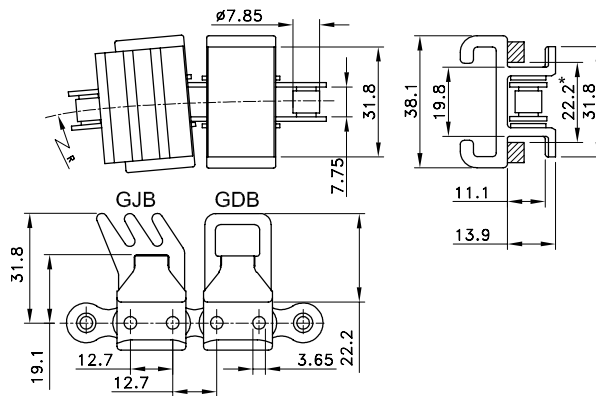
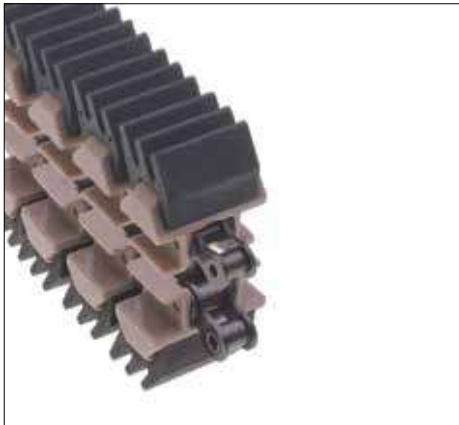
## Gripper 1/2" Pitch Plastic Tab



Chain Type	Code Number	Plate Width A		Weight kg/m	Working Load (max.) N (21°C)	Sideflex Radius (min) mm	Connection Link	
		mm	inch				Type	Code Number
<b>LF-Acetal Top Plate/Steel Base Chain</b>								
LF 1843 TAB-K150 GDB	L1843606461	38.1	1.50	1.20	2700	254	CL-1843	1843-MO-CL
<b>LF-Acetal Top Plate/Stainless Steel Base Chain</b>								
LF 1843 TABSS-K150 GDB	L1843606481	38.1	1.50	1.20	1900	254	CL-1843 SS	1843 SS-MO-CL

Standard length: 3.048 m – 10 feet (240 links).  
Gripper: EPDM black, 40 shore A hardness.

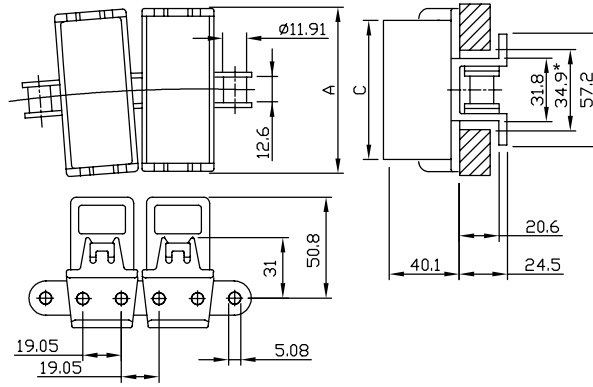
## 3-Finger Gripper 1/2" Pitch Plastic Tab



Chain Type	Code Number	Plate Width A		Weight kg/m	Working Load (max.) N (21°C)	Sideflex Radius (min) mm	Connection Link	
		mm	inch				Type	Code Number
<b>LF-Acetal Top Plate/Steel Base Chain</b>								
LF 1843 TAB-K150 GJB	L1843606471	38.1	1.50	1.20	2700	254	CL-1843	1843-MO-CL
<b>LF-Acetal Top Plate/Stainless Steel Base Chain</b>								
LF 1843 TABSS-K150 GJB	L1843606491	38.1	1.50	1.20	1900	254	CL-1843 SS	1843 SS-MO-CL

Standard length: 3.048 m – 10 feet (240 links).  
Gripper: EPDM black, 40 shore A hardness.

## Snap-On Closed Gripper 3/4" Pitch Plastic Tab



Chain Type	Code Number	Plate Width A		Gripper Width C	Weight kg/m	Working Load (max.) N (21°C)	Sideflex Radius (min) mm	Connection Link	
		mm	inch					Type	Code Number

### HP-Acetal Top Plate/Steel Base Chain

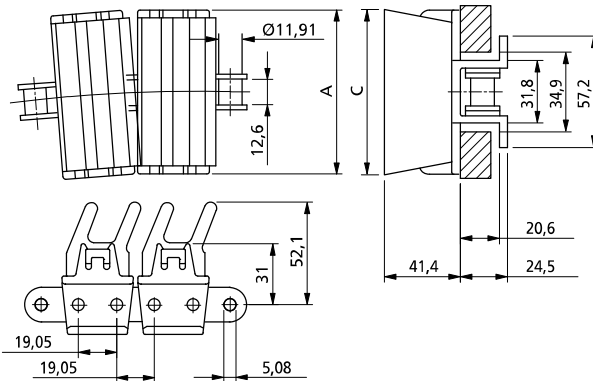
HP 1873 TAB-K325 GSD	L1873628703	82,5	3.25	70	2.90	4500	381	CL-63	36742
HP 1873 TAB-K450 GSD	L1873631143	114,3	4.50	102	3.00				

### HP-Acetal Top Plate/Stainless Steel Base Chain

HP 1873 TABSS-K325 GSD	L1873628753	82,5	3.25	70	2.90	3400	381	CL-63 SS	36747
HP 1873 TABSS-K450 GSD	L1873631383	114,3	4.50	102	3.00				

Standard length: 3.048 m – 10 feet (160 links).  
Gripper: EPDM grey, 55 shore A hardness.

## Snap-On 2-Finger Gripper 3/4" Pitch Plastic Tab



Chain Type	Code Number	Plate Width A		Gripper Width C	Weight kg/m	Working Load (max.) N (21°C)	Sideflex Radius (min) mm	Connection Link	
		mm	inch					Type	Code Number

### HP-Acetal Top Plate /Steel Base Chain

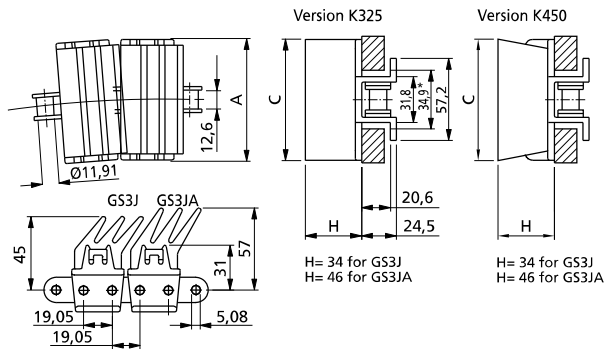
HP 1873 TAB-K325 GS2J	L1873628693	82.5	3.25	77	2.90	4500	381	CL-63	36742
HP 1873 TAB-K450 GS2J	L1873628713	114.3	4.50	108	3.00				

### HP-Acetal Top Plate /Stainless Steel Base Chain

HP 1873 TABSS-K325 GS2J	L1873628743	82.5	3.25	77	2.90	3400	381	CL-63 SS	36747
HP 1873 TABSS-K450 GS2J	L1873628763	114.3	4.50	108	3.00				

Standard length: 3.048 m – 10 feet (160 links). Gripper EPDM black, 45 shore A hardness.

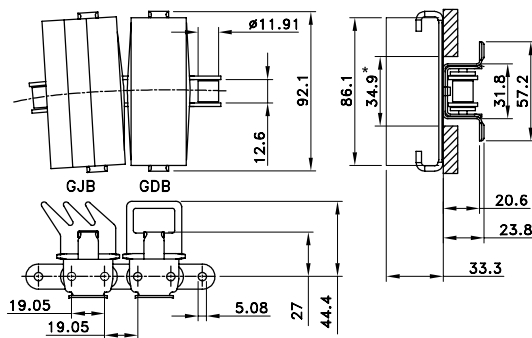
# Snap-On 3-Finger Gripper 3/4" Pitch Plastic Tab



Chain Type	Code Number	Plate Width		Gripper Width C	Weight	Working Load (max.)	Sideflex Radius (min)	Connection Link	
		A	A					Type	Code Number
		mm	inch	mm	kg/m	N (21°C)	mm		
<b>HP-Acetal Top Plate/Steel Base Chain</b>									
HP 1873 TAB-K325 GS3J	L1873628673	82.5	3.25	82.5	2.90	4500	381	CL-63	36742
HP 1873 TAB-K450 GS3J	L1873631773	114.3	4.50	107	3.00				
<b>HP-Acetal Top Plate/Stainless Steel Base Chain</b>									
HP 1873 TABSS-K325 GS3J	L1873628723	82.5	3.25	82.5	2.90	3400	381	CL-63 SS	36747
HP 1873 TABSS-K450 GS3J	L1873632733	114.3	4.50	107	3.00				
<b>HP-Acetal Top Plate/Steel Base Chain</b>									
HP 1873 TAB-K325 GS3JA	L1873628683	82.5	3.25	82.5	2.90	4500	381	CL-63	36742
HP 1873 TAB-K450 GS3JA	L1873631863	114.3	4.50	109	3.00				
<b>HP-Acetal Top Plate/Stainless Steel Base Chain</b>									
HP 1873 TABSS-K325 GS3JA	L1873628733	82.5	3.25	82.5	2.90	3400	381	CL-63 SS	36747
HP 1873 TABSS-K450 GS3JA	L1873631873	114.3	4.50	109	3.00				

Standard length: 3.048 m – 10 feet (160 links). Gripper EPDM grey 55 shore A hardness for GS3J K325-K450, gripper black for GS3JA K450 45 shore A hardness.

# Snap-On 3-Finger Gripper $\frac{3}{4}$ " Pitch Steel Tab



Pag. 124

Chain Type	Code Number	Plate Width A		Gripper Width C	Working Load (max.) N (21°C)	Sideflex Radius (min) mm	Connection Link	
		mm	inch				Type	Code Number
<b>Steel Top Plate/Steel Base Chain</b>								
1874 TAB HD-K363 GDB	L1874606541	92.1	3.63	5.60	4500	381	CL-63	36742
1874 TAB HD-K363 GJB	L1874606322							
<b>Stainless Steel Top Plate/Stainless Steel Base Chain</b>								
1874 TABSS-K363 GDB	L1874606581	92.1	3.63	5.60	3400	381	CL-63 SS	36747
1874 TABSS-K363 GJB	L1874606591							

Standard length: 3.048 m – 10 feet (160 links). Gripper: EPDM black; 50 shore A hardness.